

MACHINES

# APR VIBRATORY PLATES

APR SERIES REVERSIBLE  
VIBRATORY PLATES



**AMMANN**

# THE RIGHT FIT ON YOUR JOBSITE

## AMMANN APR REVERSIBLE VIBRATORY PLATES

These machines offer outstanding compaction performance and are among the fastest in their class. APR vibratory plates work reliably, even on uneven terrain and difficult compaction surfaces, thanks to their carefully balanced components. With the availability of wide models, the APR series from Ammann has the right machine for any application.



### APR 2220 PETROL

WEIGHT: 100 kg  
MAX. VIBRATING FREQUENCY: 98 Hz  
MAX. CENTRIFUGAL FORCE: 22 kN



### APR 2620

WEIGHT: 130 / 135 kg  
MAX. VIBRATING FREQUENCY: 95 Hz  
MAX. CENTRIFUGAL FORCE: 24 kN



### APR 3020 PETROL

WEIGHT: 199 / 203 kg  
MAX. VIBRATING FREQUENCY: 90 Hz  
MAX. CENTRIFUGAL FORCE: 30 kN



### APR 2220 DIESEL

WEIGHT: 121 / 128 kg  
MAX. VIBRATING FREQUENCY: 98 Hz  
MAX. CENTRIFUGAL FORCE: 22 kN



### APR 3020 DIESEL

WEIGHT: 199 / 205 kg  
MAX. VIBRATING FREQUENCY: 90 Hz  
MAX. CENTRIFUGAL FORCE: 30 kN



### **APR 3520 PETROL**

WEIGHT: 242/257 kg  
MAX. VIBRATING FREQUENCY: 65 Hz  
MAX. CENTRIFUGAL FORCE: 38 kN



### **APR 3520 DIESEL**

WEIGHT: 257 / 271 kg  
MAX. VIBRATING FREQUENCY: 65 Hz  
MAX. CENTRIFUGAL FORCE: 38 kN



### **APR 4920**

WEIGHT: 391 kg  
MAX. VIBRATING FREQUENCY: 65 Hz  
MAX. CENTRIFUGAL FORCE: 49 kN



### **APR 5920**

WEIGHT: 440 kg  
MAX. VIBRATING FREQUENCY: 65 Hz  
MAX. CENTRIFUGAL FORCE: 59 kN

# YOUR BENEFITS AT A GLANCE

WHAT CHARACTERISES THE REVERSIBLE  
VIBRATORY PLATES FROM AMMANN?

## EFFICIENCY

### Powerful machines

High compaction forces deliver the best compaction results

### Optimised base plate

Guarantees fast forward travel and outstanding gradeability on any surface

### Hydraulic forward and reverse drive

Provides simple and precise machine control even in confined spaces

### Optional Vulkollan mat

For careful work on paving blocks

## ERGONOMICS

### Low-vibration guide handle

Low HAV values protect the operator

### Open guide handle

Prevents the machine from being damaged by incorrect lifting

### Central single-point suspension

A central balanced suspension point ensures safe and simple transportation

## SERVICEABILITY

### Low-wear exciter unit

Longer service intervals and lower maintenance costs

### Simplified maintenance work

Daily maintenance work does not require special tools

### Water separator

Indicator for poor fuel quality





# TECHNICAL SOLUTIONS FOR YOUR JOBSITE

ADAPTABLE TO YOUR NEEDS

Quality and productivity are prerequisites for good construction machines. Ammann machines offer both and stand out through ease of operation too. Numerous options guarantee every customer has the ideal machine for his area of use.



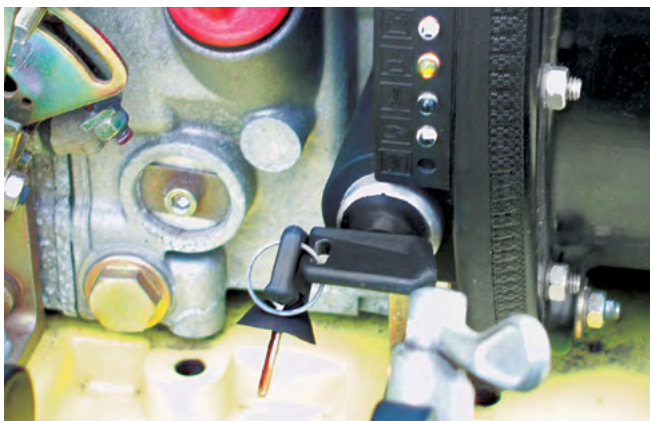
## VULKOLLAN MATS

Vulkollan mats are easy to fit and enable the use of the compactor on paving blocks. The Vulkollan mats protect the blocks during compaction work and guarantee a perfect result.



## TRANSPORT WHEELS

Permanently installed transport wheels are available for the models APR 2220, APR 2620 and APR 3020. The wheels are mounted in a safe position behind the plate and simply fold down underneath the machine when needed.



## ELECTRIC START

APR models with a diesel engine can be equipped with an optional electric start – for easy starting before work.



## HOURS-RUN METER

The next service date can be scheduled well in advance thanks to a continuous display of hours run.

“ All APR models are the perfect choice for plant hire services, but they are also the ideal problem solver for all companies in the construction industry and in landscape gardening.”



# APR 2220

## REVERSIBLE VIBRATORY PLATE

### A FAST WORKER AND A GOOD CLIMBER

The low weight and narrow working width make the APR 2220 the ideal compactor for confined spaces.

With a working width of just 40 cm and a weight of around 100 kg, this vibratory plate can navigate even the tightest spaces. Even difficult tasks are easy to handle thanks to its compact design and extensive manoeuvrability.

It takes difficult substrates in its stride with infinitely adjustable forward and reverse travel and spot vibration. Permanently installed wheels, available as an option, make transportation easy.



### HIGHLIGHTS

- Operator-friendly, vibration-cushioned guide handle, foldable for easy transportation
- Infinitely adjustable hydraulic forward and reverse drive including spot vibration for compacting especially demanding substrates
- Simple ergonomic handling
- Maintenance-friendly twin-shaft exciter with long service intervals and a long life-span
- Wear-resistant, self-cleaning base plate
- Well-protected, robust centrifugal clutch with wear-resistant V belt
- Robust protective frame with central single-point suspension
- Powerful petrol or diesel engine
- Other options include a Vulkollan plate, hours-run meter and transport wheels





# APR 2620

## REVERSIBLE VIBRATORY PLATE

### POWERFUL AND RELIABLE

A working width of 38 cm or 50 cm makes the APR 2620 ideal for many different purposes. The versatile machine puts on a convincing show in different areas of use and is available with an optional sprinkler system for working on bituminous surfaces.

It takes even the most difficult substrates in its stride with infinitely adjustable forward and reverse travel and spot vibration. Optionally available transport wheels are permanently attached and make moving the compactor much easier.



### HIGHLIGHTS

- Operator-friendly, vibration-cushioned guide handle, foldable for easy transportation
- Infinitely adjustable hydraulic forward and reverse drive including spot vibration for compacting especially demanding substrates
- Simple ergonomic handling
- Maintenance-friendly two-shaft exciter with long service intervals and a long life-span
- Wear-resistant, self-cleaning base plate
- Well-protected, robust centrifugal clutch with wear-resistant V belt
- Robust protective frame with central single-point suspension
- Powerful diesel engine
- Other options include a Vulkollan plate, hours-run meter and transport wheels



# APR 3020

## REVERSIBLE VIBRATORY PLATE

### DEVELOPED FOR TOP PRODUCTIVITY

The APR 3020 vibratory plate is easy to use and ideal for any application thanks to available working widths of 50 cm and 60 cm.

The powerful machine is also economical when it comes to compacting larger surface areas.



### HIGHLIGHTS

- Operator-friendly, vibration-cushioned guide handle, foldable for easy transportation
- Infinitely adjustable hydraulic forward and reverse drive including spot vibration for compacting especially demanding substrates
- Simple ergonomic handling
- Maintenance-friendly twin-shaft exciter with long service intervals and a long life-span
- Wear-resistant, self-cleaning base plate
- Well-protected, robust centrifugal clutch with wear-resistant V belt
- Robust protective frame with central single-point suspension
- Powerful petrol or diesel engine
- Other options include a Vulkollan plate, hours-run meter and transport wheels
- An electric starter is available for machines powered by a Hatz diesel engine



# APR 3520

## REVERSIBLE VIBRATORY PLATE

### ALSO IDEAL FOR PAVING BLOCKS

The APR 3520 is very versatile thanks to a working width of 60 cm. It is the preferred vibratory plate for laying paving stones with thicknesses of up to 10 cm.

The optionally available Vulkollan mat protects from damage during compaction. The APR 3520 stands out in numerous applications on a wide range of surfaces through the user-friendliness and performance features common to all Ammann vibratory plates.



### HIGHLIGHTS

- Operator-friendly, vibration-cushioned guide handle, foldable for easy transportation
- Infinitely adjustable hydraulic forward and reverse drive including spot vibration for compacting especially demanding substrates
- Simple ergonomic handling
- Maintenance-friendly twin-shaft exciter with long service intervals and a long life-span
- Wear-resistant, self-cleaning base plate
- Well-protected, robust centrifugal clutch with wear-resistant V belt
- Robust protective frame with central single-point suspension
- Powerful petrol or diesel engine
- Other options include a Vulkollan plate, an electric starter and an hours-run meter



# APR 4920 / APR 5920

## REVERSIBLE VIBRATORY PLATES

### THE SUPERIOR CLASS OF MECHANICALLY REVERSIBLE VIBRATORY PLATES

Both models have an ideal weight distribution between the upper and lower sections and a powerful vibration unit for the best compaction results.

#### OPTIMUM PROTECTION

Component protection is a key feature. The engine and other functional parts built into the upper section are well protected by a folding hood that also provides easy access during maintenance work.

#### FLEXIBILITY IN EVERY APPLICATION

Options such as an electric start, attachment angles and Vulkollan mats increase flexibility and make these plates the ideal machines for plant hire services, construction companies and landscape gardeners.

#### HIGHLIGHTS

- Operator-friendly, vibration-cushioned guide handle, foldable for easy transportation
- Infinitely adjustable hydraulic forward and reverse drive including spot vibration for compacting especially demanding substrates
- Simple ergonomic handling
- Maintenance-friendly twin-shaft exciter with long service intervals and a long life-span
- Wear-resistant, self-cleaning base plate
- Well-protected, robust centrifugal clutch with wear-resistant V belt
- Powerful diesel engine
- Other options include a Vulkollan plate for compacting asphalt, an hours-run meter and an electric start
- Attachment angles of 75 mm and 150 mm





### APR 4920

The agile APR 4920 has an engine output of 6.6 kW as well as good gradeability and compaction performance. The machine can handle inclines of up to 30%. The APR 4920 counts alongside the APR 5920 as one of the most powerful vibratory plates in its class.

Its working width of 450 mm is extendible using add-on plates of 75 cm or 150 mm. The robust engine hood protects the engine and provides easy access to all service points.



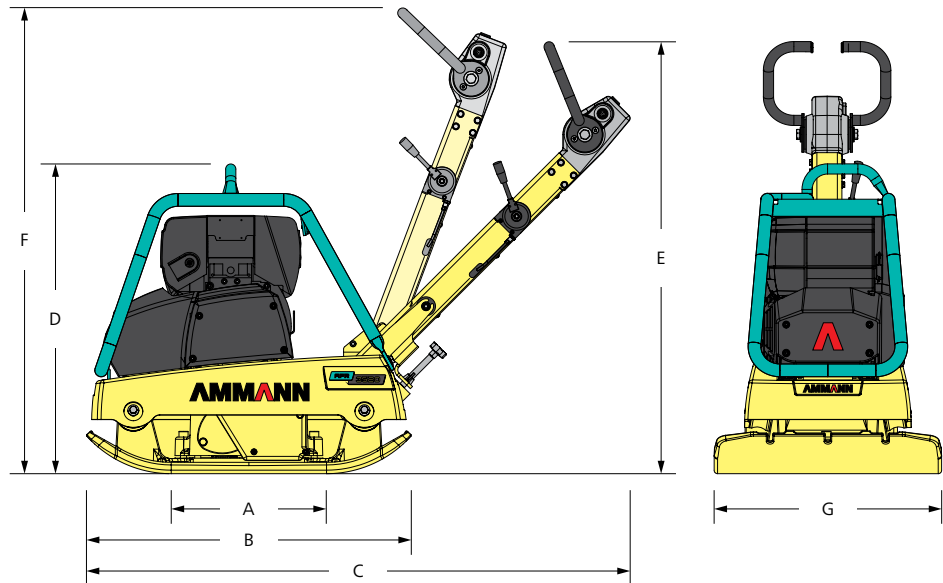
### APR 5920

This reversible vibratory plate stands out through its manoeuvrability and gradeability that enable it to work on slopes with an incline of up to 30%. The machine is driven by a powerful diesel engine. The vibratory plate can handle difficult and hard-to-reach areas thanks to its infinitely adjustable forward and reverse drive.

A working weight of 440 kg makes it the heaviest vibratory plate in the APR series. The engine has an output of 6.6 kW and a centrifugal force of 59 kN. The robust engine hood protects the engine and provides easy access to all service points.

Optional attachment angles with a width of 75 mm or 150 mm increase productivity.





## DIMENSIONS & WEIGHT

	APR 2220 Petrol	APR 2220 Diesel	APR 2620	APR 3020 Petrol	APR 3020 Diesel	APR 3520 Petrol	APR 3520 Diesel
MACHINE WEIGHT	100 kg	121/128 kg	130/135 kg	199/203 kg	213/217 kg	263 kg	271 kg
A BASE PLATE LENGTH	254 mm	254 mm	330 mm	330 mm	330 mm	410 mm	410 mm
B MACHINE LENGTH	620 mm	620 mm	700 mm	700 mm	700 mm	860 mm	860 mm
C WITH GUIDE HANDLE	1140 mm	1140 mm	1140 mm	1140 mm	1140 mm	1365 mm	1365 mm
D MACHINE HEIGHT	610 mm	730 mm	740 mm	740 mm	740 mm	750 mm	780 mm
D GUIDE HANDLE HEIGHT (WORK)	1000 mm	1000 mm	1000 mm	1000 mm	1000 mm	1000 mm	1000 mm
F GUIDE HANDLE HEIGHT (TRANSFER)	1180 mm	1180 mm	1180 mm	1180 mm	1180 mm	1180 mm	1180 mm
G MACHINE WIDTH	400 mm	400/500 mm	380/500 mm	500/600 mm	500/600 mm	600 mm	600 mm

## ENGINE

ENGINE	Honda GX 120	Hatz 1B20	Hatz 1B20	Honda GX 270	Hatz 1B30	Honda GX 270	Hatz 1B30
FUEL	Petrol	Diesel	Diesel	Petrol	Diesel	Petrol	Diesel
OUTPUT	4 HP / 2.9 kW	4.2 HP / 3.1 kW	4.2 HP / 3.1 kW	8.6 HP / 6.3 kW	6.1 HP / 4.5 kW	8.6 HP / 6.3 kW	6.3 HP / 4.6 kW
RPM	3600	3000	3000	3100	2900	3100	3000
CONSUMPTION	0.9 l/h	0.9 l/h	0.9 l/h	2.1 l/h	1.3 l/h	2.1 l/h	1.3 l/h

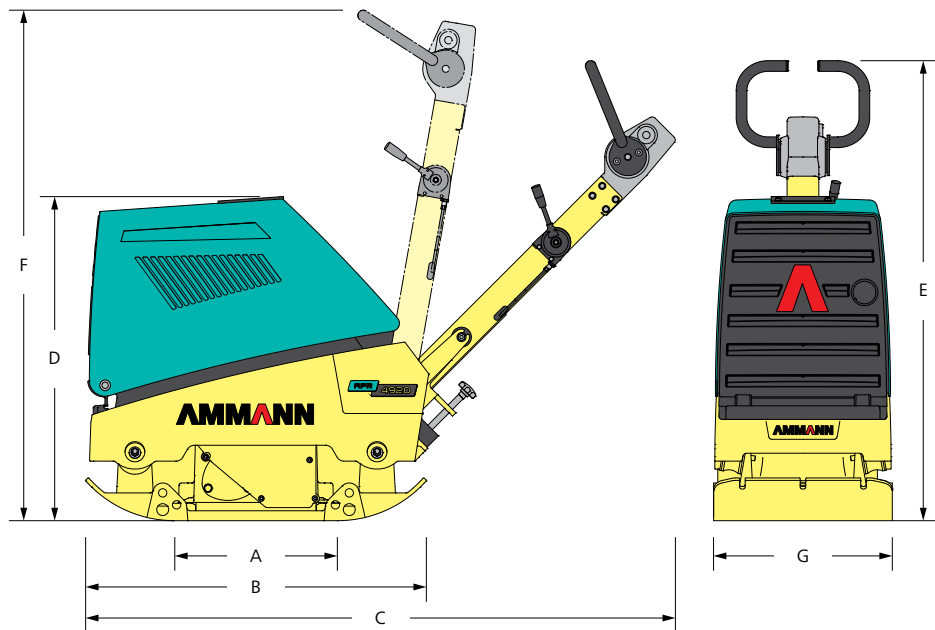
## COMPACTION OUTPUT

MAX. VIBRATION FREQUENCY	98 Hz	98 Hz	95 Hz	90 Hz	90 Hz	65 Hz	65 Hz
MAX. CENTRIFUGAL FORCE	22 kN	22 kN	24 kN	30 kN	30 kN	38 kN	38 kN
MAX. WORKING SURFACE WITH ATTACHMENT ANGLES	600 m <sup>2</sup> /h	600 m <sup>2</sup> /h 690 m <sup>2</sup> /h	550 m <sup>2</sup> /h 630 m <sup>2</sup> /h	660 m <sup>2</sup> /h 720 m <sup>2</sup> /h	660 m <sup>2</sup> /h 720 m <sup>2</sup> /h	936 m <sup>2</sup> /h	936 m <sup>2</sup> /h
MAX. COMPACTION DEPTH *	20 cm	25 cm	30/25 cm	35/30 cm	35/30 cm	50 cm	50 cm

## MISCELLANEOUS

WORKING SPEED	0–25 m/min	0–25 m/min	0–23/21 m/min	0–22/20 m/min	0–22/20 m/min	0–26 m/min	0–26 m/min
FUEL TANK	2.5 l	3 l	3 l	6 l	5 l	6 l	5 l
WATER TANK	–	–	7.5 l	–	–	–	–
MAX. GRADEABILITY	35 %	35 %	35 %	35 %	35 %	35 %	35 %
MAX. INCLINE	20°	30°	30°	20°	30°	20°	30°

\* depending on ground conditions



## DIMENSIONS & WEIGHT

	APR 4920	APR 5920
MACHINE WEIGHT	391 kg	440 kg
WITH ATTACHMENT ANGLE 75 mm	413 kg	461 kg
WITH ATTACHMENT ANGLE 150 mm	424 kg	473 kg
A BASE PLATE LENGTH	410 mm	450 mm
B MACHINE LENGTH	858 mm	898 mm
C WITH GUIDE HANDLE	1485 mm	1453 mm
D MACHINE HEIGHT	817 mm	850 mm
D GUIDE HANDLE HEIGHT (WORK)	1000 mm	1000 mm
F GUIDE HANDLE HEIGHT (TRANSFER)	1286 mm	1324 mm
G MACHINE WIDTH	450 mm	450 mm

## ENGINE

	Hatz 1B40	Hatz 1B40
ENGINE	Hatz 1B40	Hatz 1B40
FUEL	Diesel	Diesel
OUTPUT	9 HP / 6.6 kW	9 HP / 6.6 kW
RPM	2900	2900
CONSUMPTION	1.6 l/h	1.6 l/h

## COMPACTION OUTPUT

MAX. VIBRATION FREQUENCY	65 Hz	65 Hz
MAX. CENTRIFUGAL FORCE	49 kN	59 kN
MAX. WORKING SURFACE	810 m <sup>2</sup> /h	891 m <sup>2</sup> /h
WITH ATTACHMENT ANGLE 75 mm	1080 mm	1188 m <sup>2</sup> /h
WITH ATTACHMENT ANGLE 150 mm	1350 mm	1485 m <sup>2</sup> /h
MAX. COMPACTION DEPTH *	60 cm	70 cm

## MISCELLANEOUS

WORKING SPEED	0–35 m/min	0–35 m/min
FUEL TANK	5 l	5 l
MAX. GRADEABILITY	30 %	30 %
MAX. INCLINE	25°	25°

\* depending on ground conditions

# TRAINING

## ENHANCE YOUR PERFORMANCE

The Ammann International Training Centre in the Czech Republic is our training headquarters. If you are not able to visit the International Training Centre, Ammann will bring the training to your business or even a jobsite of your choosing.

### MACHINE TRAINING MODULES

Modules help you organise your team's training efforts. For example, you can have comprehensive lessons that put you on the path to expertise regarding a single machine. Or, if you prefer, your crew can instead broaden its general knowledge. And if you want to become an expert on the entire product line, the modules can accommodate that, too.



#### MAIN COURSES

These are the most frequently requested lessons and focus on one machine line.

#### SUB COURSES

These courses focus on a single machine and typically run for 2 days, allowing a second (or even third) such course to be taken during a week at the training centre.

#### PRODUCT COURSES

Important information regarding Ammann compaction machines is at the core of these classes. The training includes correct operation and basic maintenance.

#### ADMINISTRATIVE COURSES

Participants in this training learn effective utilisation of warranty claims, spare parts purchase orders, training, requests for technical support and service tips. Those who take these classes will learn to use all Ammann technical publications and administration tools.

#### COMMISSIONING COURSES

In this training, participants learn maintenance and proper methods for organising a commissioning of Ammann compactors and asphalt pavers.

#### INTELLIGENT COMPACTION COURSES

Participants learn about the ACE<sup>force</sup>, ACE<sup>pro</sup> and ACE<sup>plus</sup> systems used in Ammann machines. Those who take the class will learn to properly operate, maintain, diagnose and repair ACE systems. The offerings include ACE iii System for Soil Compactors, which is focused on ASC rollers, and ACE iii System for Asphalt Compactors, which discusses systems on ARP 95, ARX 90 and ARX 110.



# SERVICE

## A NETWORK TO SUPPORT YOU

**No matter where you are, Ammann-trained technicians and parts are nearby. Ammann dealers provide well-trained service technicians who can help you, whether it's an emergency or time for preventive maintenance. The vast Ammann network ensures there is a nearby technician who understands your language and your technical needs. Parts availability and ease of ordering are always Ammann priorities.**

### HOTLINE SUPPORT

Ammann experts are ready to answer your technical questions 24 hours a day, seven days a week. The hotline team is highly trained and experienced. Representatives can talk you through the challenges – in various languages – to help keep your machine productive.

### SERVICE APP

The service app for Ammann machines impresses machine operators who are already benefiting from the advantages of the free application. The easy-to-use app provides machine operators working on site quick and uncomplicated access to machine documentation.

### SERVICE VIDEOS

Sometimes a video tells the story best. That's why you'll find a variety of service videos that walk you through service and maintenance processes.

### QR CODE

Many maintenance kits feature QR codes that link to videos with helpful demonstrations that walk you or your technician through the process. The videos tell the story without dialogue so customers anywhere in the world can understand.



# SPARE PARTS

You can only earn money when your equipment is working. That's why Ammann does everything possible to ensure you have the parts where and when you need them. Those efforts include easy online ordering to avoid confusion and enable tracking, and efficient logistics and availability to help parts reach you quickly.

## WEARING KITS

Some machines handle abrasive materials in demanding applications. While wear is inevitable, downtime can be limited. Wearing kits make replacement of these parts efficient and cost-effective. All the necessary parts – big and small – are in a single box to keep you organised and efficient and to ensure the machines are quickly back up and running.

## EMERGENCY KITS

Emergency kits prevent little frustrations from becoming bigger issues that can shut down a machine and even a jobsite. These kits include parts such as switches, fuses and valve coils that are simple and fast to change yet still can cause significant problems if not operating properly. The kits easily fit in the trunk or bed of a vehicle so they're on hand when needed. A crew-member with a bit of technical knowledge can handle this work on the jobsite. These repairs take 2 hours or less.



## MAINTENANCE KITS

Preventive maintenance is crucial to efficient operation and service life of machines. The easier the maintenance, the more likely it is to be completed. Maintenance kits make the upkeep simple. Parts associated with a particular maintenance process are in a single box with a single part number.

## BROCHURE WITH ALL KITS

We have a prospect with all kits, and their part numbers are available for you. Just contact your parts consultant and have a digital or hardcopy sent to you.



“Service kits ensure that every part is there when you need it, while emergency kits prevent a little challenge from becoming a big one.”



For additional product information  
and services please visit:  
[www.ammann-group.com](http://www.ammann-group.com)

